





GENUINE FRONT DISC PAD

INSTALLATION AND USER'S INSTRUCTIONS

Thank you for purchasing a genuine Mazda accessory.
Before removal and installation, be sure to thoroughly read these instructions.
Please read the contents of this booklet in order to properly install and use the front disc pad. Your safety depends on it.
Keep these instructions with your vehicle records for future reference.

WARNING

- There are several  **WARNING** and  **CAUTION** sections in this booklet concerning safety when installing or removing the front disc pad. Always read and follow them in order to prevent injuries, accidents, and possible damage to the vehicle.
 -  **WARNING:** Indicates a situation in which serious injury or death could result if the warning is ignored.
 -  **CAUTION:** Indicates a situation in which bodily injury or damage to the vehicle could result if the caution is ignored.
- Do not modify the front disc pad.
- Do not install the front disc pad in any way other than described in the following instructions.
- If in any doubt, please ask your Mazda dealer to install the accessory in order to prevent errors in installation.
- If you have any questions about the use of the accessory, ask your Mazda dealer for proper advice before using it.
- Mazda and its suppliers are not responsible for injuries, accidents, and damage to persons and property that arise from the failure of the dealer or installer to follow these instructions.
- To ensure safety and reliability of the work, installation, removal and disposal work must be carried out by an Authorized Mazda Dealership.
- Be careful not to lose removed parts, and be sure that they are kept free from scratches, grease or other dirt.

PART NAME: FRONT DISC PAD

PART NUMBER: QSEA 49 280

VEHICLE: Mazda RX-8

NOTE

To the dealer

- Please turn over these instructions to the customer after installation.

To the customer

- Keep these instructions after installation. The instructions may be necessary for installing other optional parts or removal of this accessory.
- Should the vehicle or this accessory be resold, always leave these instructions with it for the next owner.

1 PARTS

Note

- Verify that the kit includes all the following parts and that they are free of dirt, scratches, or damage.

Part name	Qty.
Front disc pad	4

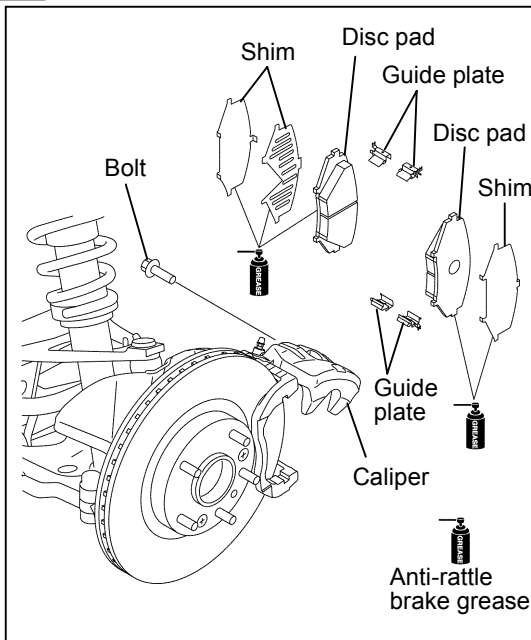
2 BEFORE INSTALLATION

REQUIRED TOOLS

Prepare the following tools or items before installation.

- ★Wrench ★49 0221 600C (Special service tool) ★Clean rag ★Anti-rattle brake grease

3 FRONT DISC PAD INSTALLATION



1. Remove the bolt.
2. Lift the caliper as shown in the figure.
3. Remove the disc pads from the mounting support.
4. Remove the (shims and guide plates) . Store the removed parts away from dirt, as they will be reused.
5. Clean the exposed area of the piston.

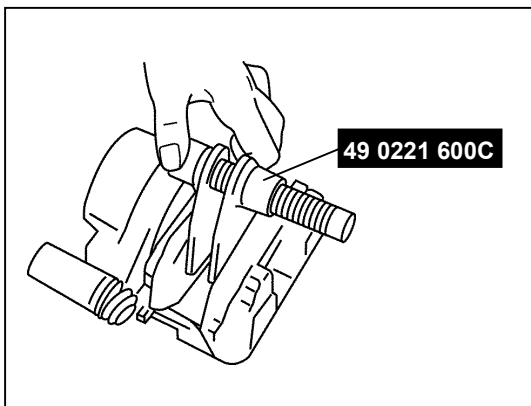
6. Install the piston using the special service tool, 49 0221 600C.
7. Install the guide plates to mounting support.
8. Install the shims. to the disc pads. Before installation, wipe off grease applied to the pad attachments using a clean rag and apply brake grease adequately.
9. Install the disc pads to the mounting support.
10. Put the caliper back into position.
11. Secure the caliper to the mounting support with the bolt and tighten it to the specified torque.

Tightening torque:

21.58-31.38 N·m

{2.201-3.199 kgf·m, 15.92-23.14 ft·lbf}

12. After installation, depress the brake pedal a few times, then verify that the brakes do not drag.



⚠ CAUTION

- The brakes may not initially perform at maximum braking force for a period after the pads have been replaced because the pads and rotors require a break-in period. Avoid sudden braking and apply brakes for a sufficient amount of time until the brake pads and rotors are broken-in.
(About 100 km of driving on city streets is needed for brake pads and rotors to be broken-in.)